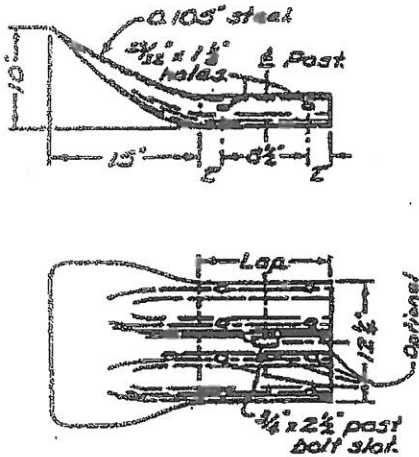
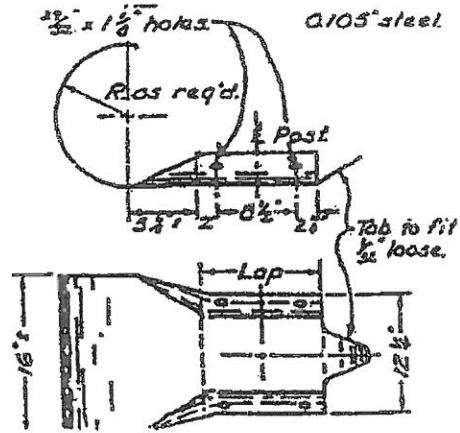


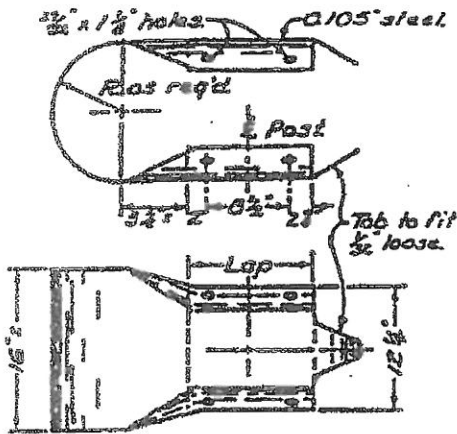
TERMINAL OR FLARED END



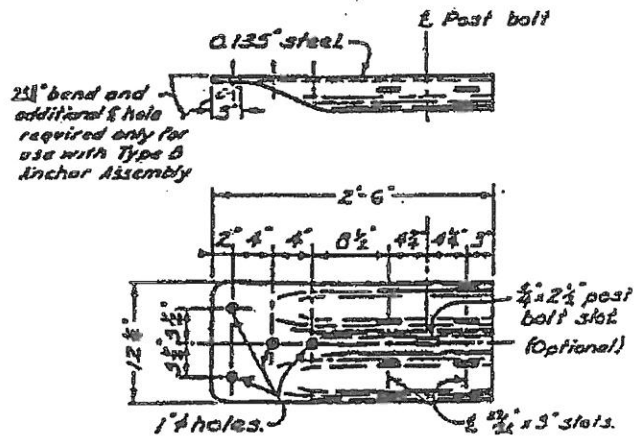
HALF WRAP



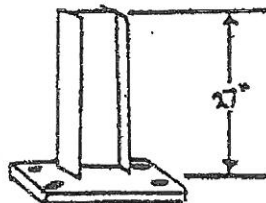
BUFFER OR FULL WRAP END



END SHOE



SHORT INLET POST



LONG INLET POST

